

Refer to www.ad5gh.com for further details & attribution.
2020 HF Transceiver

AD5GH

Sheet: /

File: RF Band Pass Filter Board.sch

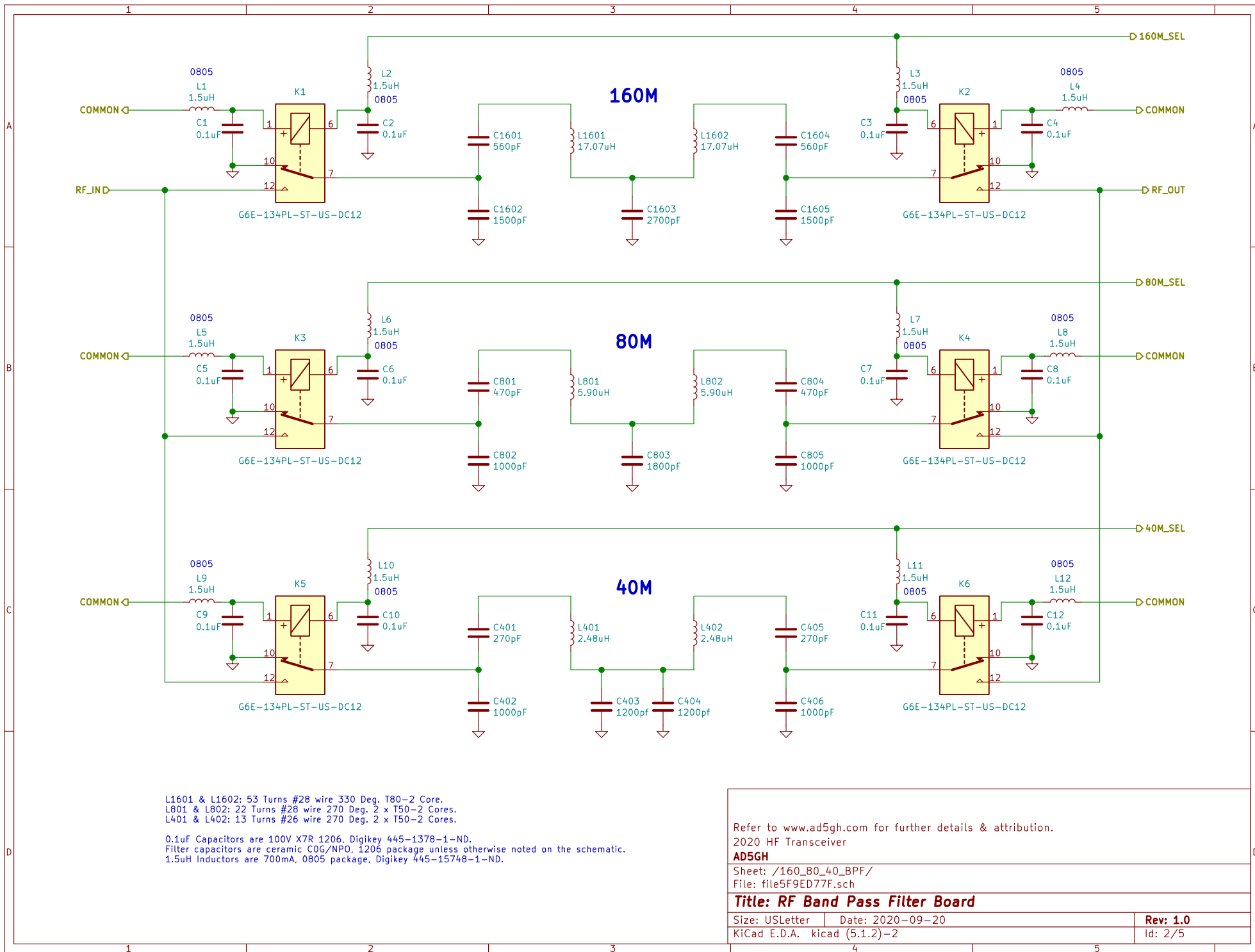
Title: RF Band Pass Filter Board

Size: USLetter | Date: 2020-09-20

KiCad E.D.A. kicad (5.1.2)-2

Rev: 1.0

Id: 1/5



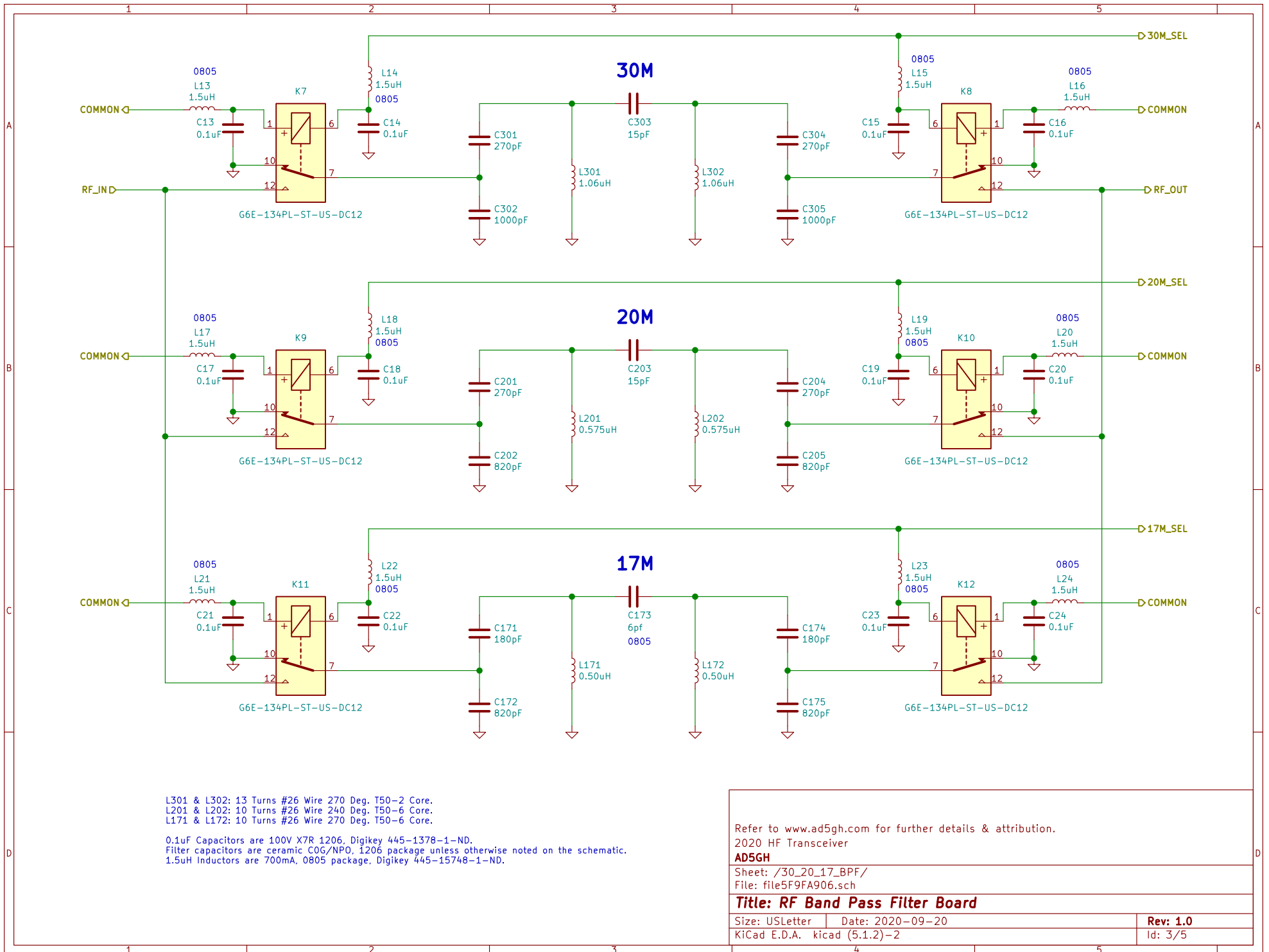
L1601 & L1602: 53 Turns #28 wire 330 Deg. T80-2 Core.
 L801 & L802: 22 Turns #28 wire 270 Deg. 2 x T50-2 Cores.
 L401 & L402: 13 Turns #26 wire 270 Deg. 2 x T50-2 Cores.

0.1uF Capacitors are 100V X7R 1206, Digikey 445-1378-1-ND.
 Filter capacitors are ceramic COG/NPO, 1206 package unless otherwise noted on the schematic.
 1.5uH Inductors are 700mA, 0805 package, Digikey 445-15748-1-ND.

Refer to www.ad5gh.com for further details & attribution.
 2020 HF Transceiver
AD5GH
 Sheet: /160_80_40_BPF/
 File: file5F9ED77F.sch

Title: RF Band Pass Filter Board

Size: USLetter	Date: 2020-09-20	Rev: 1.0
KiCad E.D.A. kicad (5.1.2)-2		Id: 2/5



L301 & L302: 13 Turns #26 Wire 270 Deg. T50-2 Core.
 L201 & L202: 10 Turns #26 Wire 240 Deg. T50-6 Core.
 L171 & L172: 10 Turns #26 Wire 270 Deg. T50-6 Core.

0.1uF Capacitors are 100V X7R 1206, Digikey 445-1378-1-ND.
 Filter capacitors are ceramic COG/NPO, 1206 package unless otherwise noted on the schematic.
 1.5uH Inductors are 700mA, 0805 package, Digikey 445-15748-1-ND.

Refer to www.ad5gh.com for further details & attribution.

2020 HF Transceiver

AD5GH

Sheet: /30_20_17_BPF/

File: file5F9FA906.sch

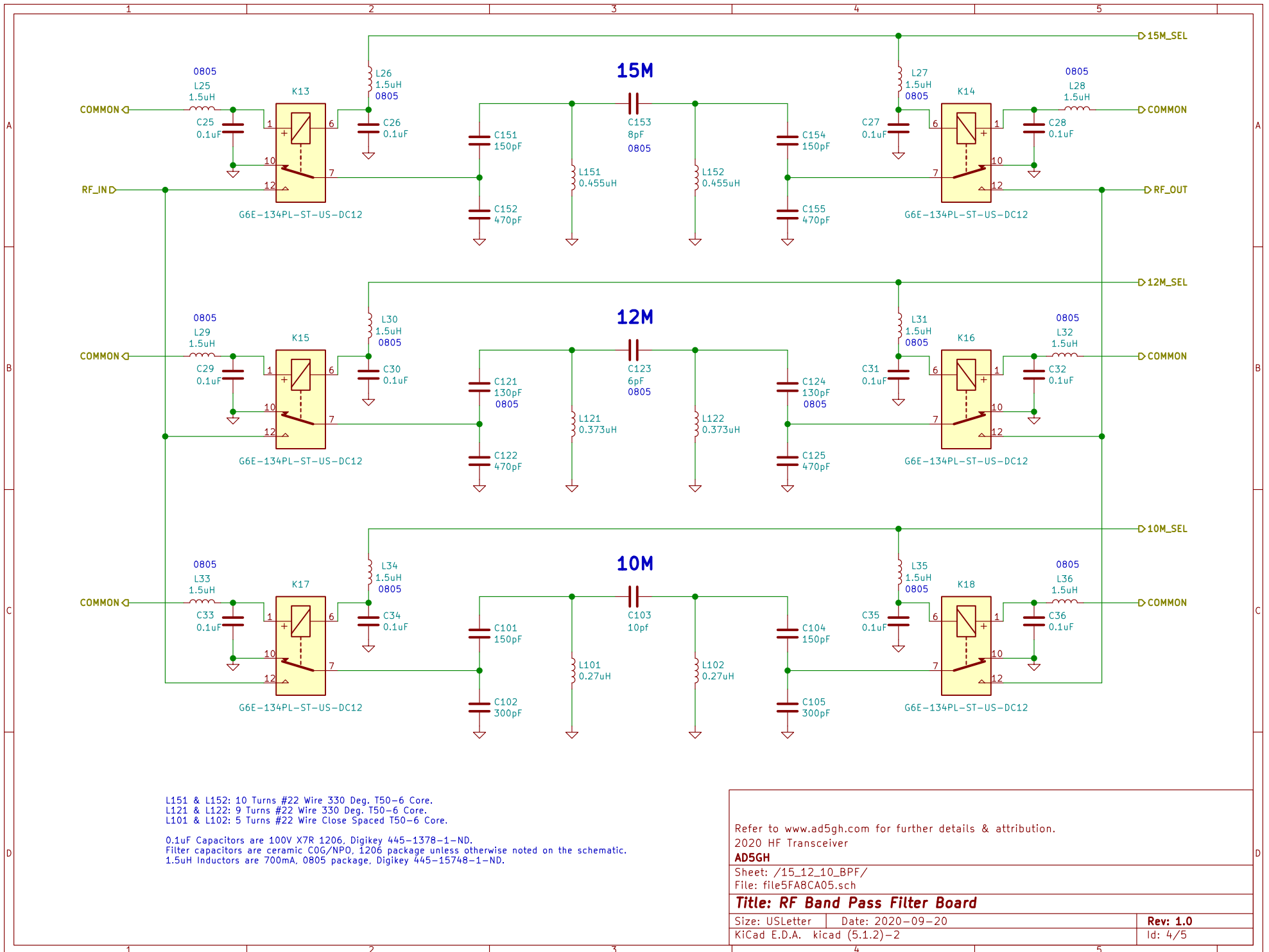
Title: RF Band Pass Filter Board

Size: USLetter | Date: 2020-09-20

KiCad E.D.A. kicad (5.1.2)-2

Rev: 1.0

Id: 3/5



L151 & L152: 10 Turns #22 Wire 330 Deg. T50-6 Core.
 L121 & L122: 9 Turns #22 Wire 330 Deg. T50-6 Core.
 L101 & L102: 5 Turns #22 Wire Close Spaced T50-6 Core.
 0.1uF Capacitors are 100V X7R 1206, Digikey 445-1378-1-ND.
 Filter capacitors are ceramic COG/NPO, 1206 package unless otherwise noted on the schematic.
 1.5uH Inductors are 700mA, 0805 package, Digikey 445-15748-1-ND.

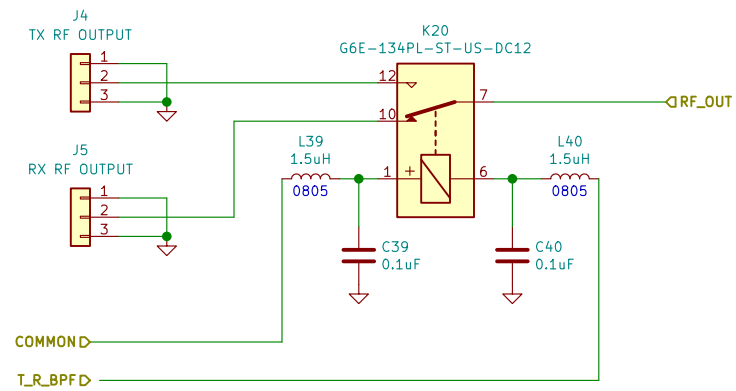
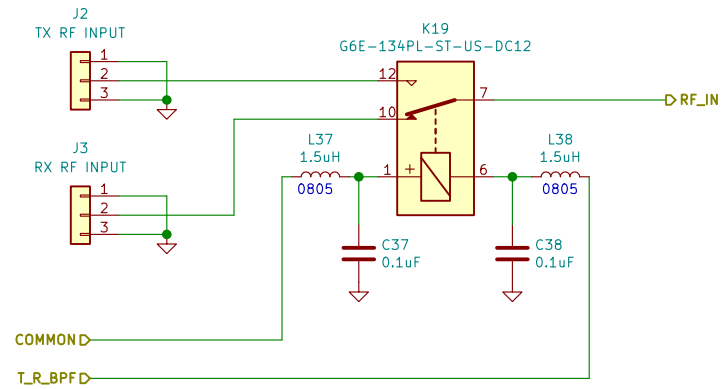
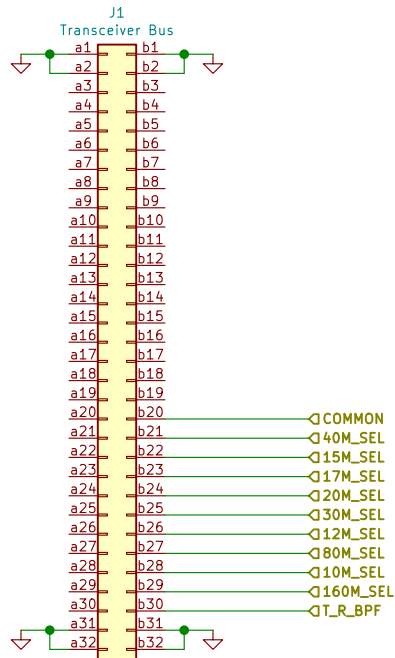
Refer to www.ad5gh.com for further details & attribution.
 2020 HF Transceiver
AD5GH

Sheet: /15_12_10_BPF/
 File: file5FA8CA05.sch

Title: RF Band Pass Filter Board

Size: USLetter | Date: 2020-09-20
 KiCad E.D.A. kicad (5.1.2)-2

Rev: 1.0
 Id: 4/5



0.1uF Capacitors are 100V X7R 1206, Digikey 445-1378-1-ND.
 Filter capacitors are ceramic COG/NPO, 1206 package unless otherwise noted on the schematic.
 1.5uH Inductors are 700mA, 0805 package, Digikey 445-15748-1-ND.
 J1 is a 64 position DIN PCB right angle header, Digikey 1195-1094-ND
 J2 - J5 are 3 position breakaway header machined sockets, Sparkfun PRT-00743

Refer to www.ad5gh.com for further details & attribution.
 2020 HF Transceiver

AD5GH

Sheet: /INPUT_OUTPUT_BPF/
 File: file5FAB0DAB.sch

Title: RF Band Pass Filter Board

Size: USLetter | Date: 2020-09-20
 KiCad E.D.A. kicad (5.1.2)-2

Rev: 1.0
 Id: 5/5